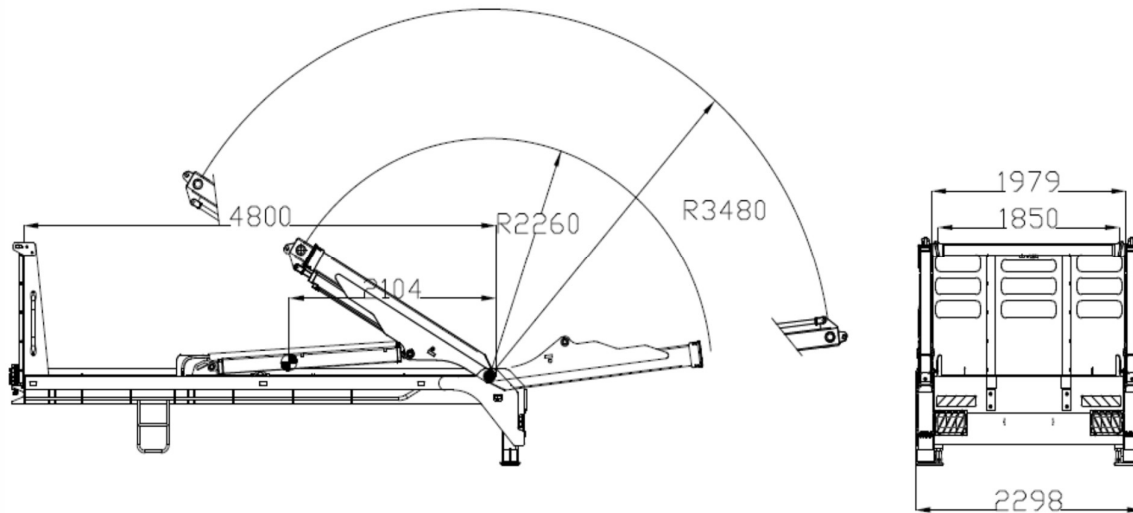




HYVA LIFT PA08TA TELESCOPIC ARM SKIPLOADER



TYPE:	HYVALIFT PA08TA	HYVALIFT PA08TA
Bed Length (mm)	4300	4800
Lifting capacity (Kg)		
Arm's length 2260 mm	8.000	8.000
Arm's length 3480 mm ¹	6.100	6.100
Oil tank capacity (l)	60	60
Manual controls	Driver side	Driver side
Standard weight (Kg) ²	2050	2150
Pick up-time (s) ³	44	44
Unloading time (s)	36	36
Jack legs out/in (s)	4	4
Telescopic arms out/in (s)	9	9
Required flow (l/min.)	60	60
Working pressure (bar)	190	190

¹ Based on lifting arms under angle of 15 °

² Rough estimation based on a standard system, incl. sub frame, excl options.

³ Rough estimation based on: PTO type C, pump 60 l/min., engine rev. 1000 rpm, PTO transmission i = 1.0. Based on lifting arms under angle of 15 °