

PRESSURE RELIEF VALVE



PRESSURE RELIEF VALVE WITH STEEL BODY

Hyva

page # 1 / 1

tipping valve type:

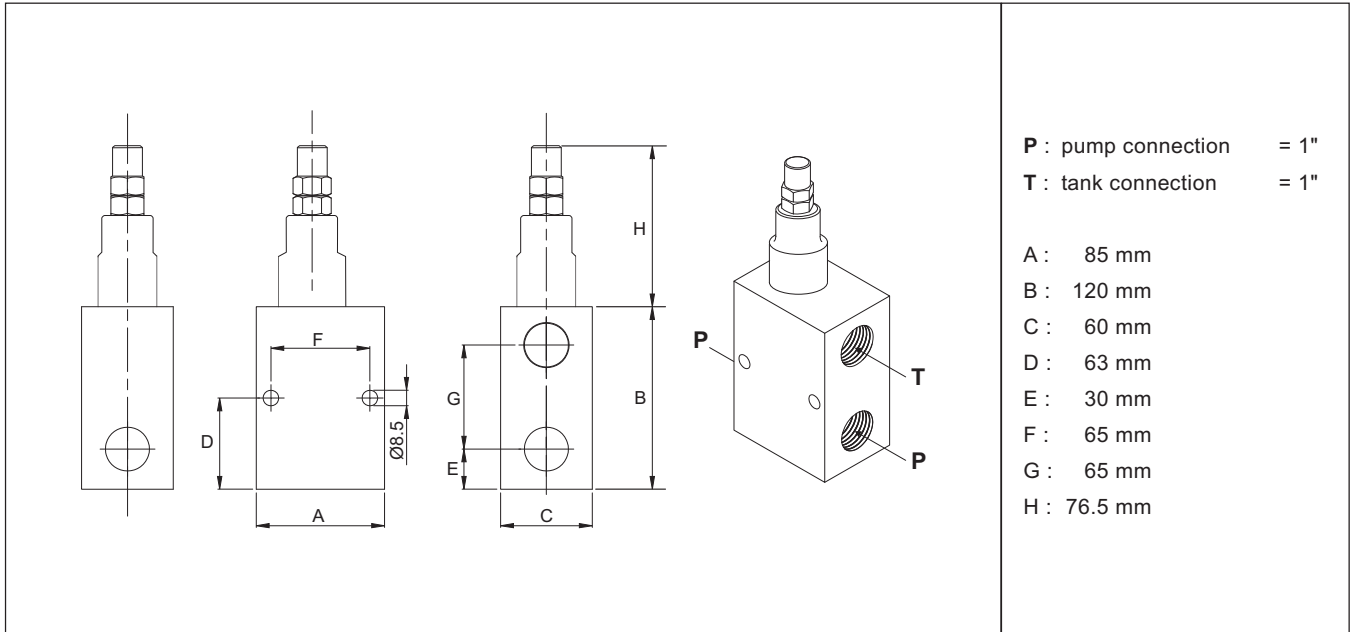
working pressure:

part number valve:

pressure relief valve VMP/B/L20

180-350 bar

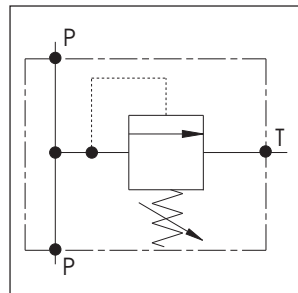
013 19 890



specifications

type	: direct acting, poppet type, adjustable
body	: steel
weight	: 2,4 kg
hydraulic connections	: G1"
max. working pressure	: 350 bar
max. advised flow	: 100 L/min. (see figure)
filtration	: ≤ 50 µm nominal
oil types	: mineral oil (DIN 51524 / 51525)
viscosity range	: 10 / 200 mm ² /s
temperature range	: -25 / + 90 °C

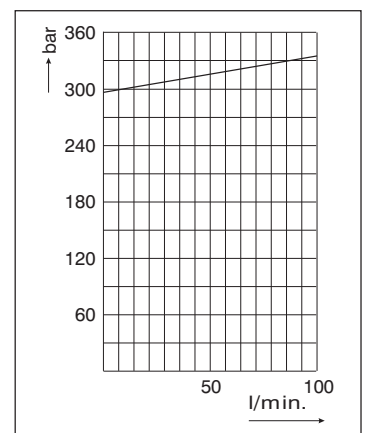
Hydraulic symbol



pressure relief valve characteristic

viscosity 46 mm²/s 35°C

This characteristic shows the pressure relief setting in relation to the flow.



general information

general information

- Mount the valve according to the Hyva mounting instructions.
- Use the correct washers and adapters in the ports to prevent housing deformation.
Do not use adapters with tapered threads.
- To further prevent deformation of the valve housing, the mounting plate surface must be completely flat and plane.
- Do not weld to the valve.
- Max. torque for bolts to mount the valve is 20 Nm.
- Lower the pressure setting before testing. Set new pressure for each system in a test cycle.

repair of the pressure relief valve

The valve should be dismantled in a clean area using the correct tools.

- If there is some leakage between the cartridge and the valve a new O-ring can be fitted

Clean all parts thoroughly before re-assembling.