

HYVA OIL TANKS



REAR MOUNTED TANK WITH VALVE MOUNTING BLOCK

Hyva

type :

Oil tank RM - 139L/117L - MP

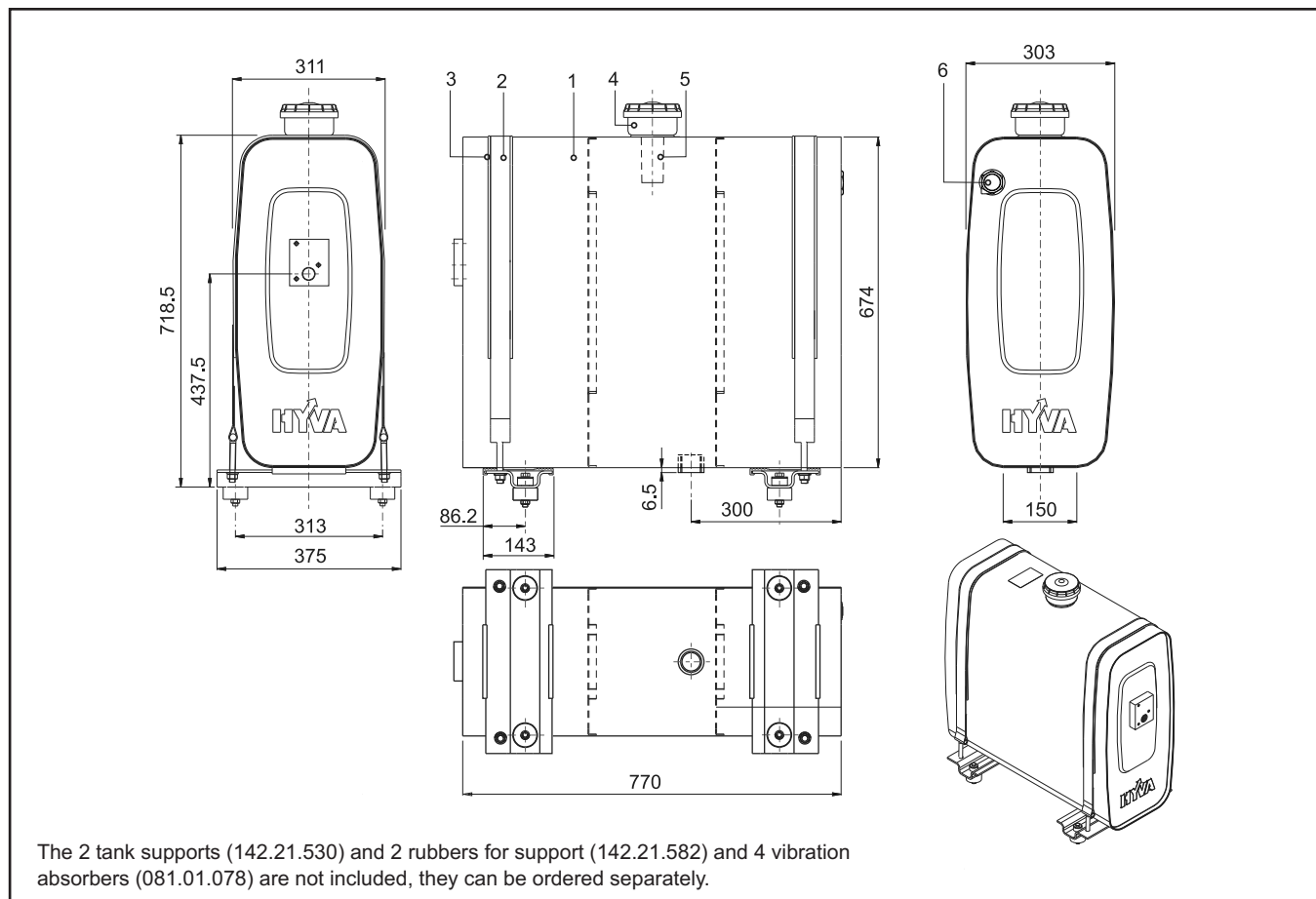
Page 1 / 1

part number tank :

140 15 240

working volume :

117 liters



The 2 tank supports (142.21.530) and 2 rubbers for support (142.21.582) and 4 vibration absorbers (081.01.078) are not included, they can be ordered separately.

Part list

Pos.	Part no.	Description	Qty.
1	140 15 240	Oil tank RM - 139L/117L - MP	1
2	140 20 010	straps and nuts for 304x674	2
3	140 20 020	rubber for straps 304x674	2
4	081 02 116	air breather filter	1

Spare Parts

Pos.	Part no.	Description	Qty.
5	081 02 117	air filter element	1
6	081 02 129	level indicator	1

General information

Pay attention to the following points:

- Mount the tank according to the mounting instructions.
- Fill the tank with the recommended hydraulic oil to the centre of the level indicator.
- Change the oil once a year.
- Replace the air filter element twice a year.
- Do not use the tank as a support or to stand on.
- Do not weld to the oil tank.

Mounting instructions

Rear mounted tank on chassis.

Before mounting the tank, check carefully whether all openings and connections are free of packaging tape, dirt or particles etc.

- **Mounting** Mount the vibration dampers to a frame on the chassis using self locking nuts and washers. Mount both tank supports on the dampers. Place the tank rubber on the tank supports.
- **Attention** Hyva gives no guarantee for tanks that are mounted without the necessary tank rubber or vibration dampers! Place the tank on the tank support. Bend the straps around the tank. Mount the straps with the rubber straps below the straps. Torque the bolts to 30Nm. Make sure all four bolts are evenly tightened. Check the bolts on torque after 1000 km. Mount the Air breather on the tank using the 6 supplied bolts.
- **Sealing** Use fluid sealant or Teflon tape when fitting to a hydraulic component without an o-ring. When a hydraulic component is provided with o-ring, no tape or fluid sealant is necessary.

Specifications

Gross volume	: 139	Liters
Working volume	: 117	Liters
Weight tank	: 36,5	kg
Weight support	: 8,3	kg
Suction connection	: 1½"	BSPIT

Subject to change without notice

DO-E 14015240 / 13 07 01 / RV AC