

3D model is available on request

## Specifications

Support Configuration.	Tank		
	14022115	14022116	
Part number	14022115	14022116	
Material	Steel	Steel	
Air breather included in tank packaging	Yes	Yes	
L: Length	590	410	mm
MW: Mounting Width	500	320	mm
C: Outer-section port distance	295	205	mm
Gross volume	50	34	litres
Working volume 1	35	23	litres
Working volume 2	-	14	litres
Weight of tank	26.7	23	kg
A: Suction port*	1.5"	1.5"	BSP
B: Additional Return port**	1"	1"	BSP

\* The suction port (A) is closed with temporary plastic plug.

\*\* The suction port (B) is closed with steel plug.

Note : Separate parts like return filter & fasteners are not included with tank

## Technical notes

- Mount the tank according the mounting instructions • Fill the tank with the recommended hydraulic oil to the centre of the level indicator
- Change the oil once a year • Replace the air breather and return filter element twice a year • Do not use the tank to stand on or as a support
- Do not weld on the oil tank • Steel tank painted black (RAL 9005)

## Related documentation

Mounting instructions: OIL-0020

Oil specifications: OIL-0011

## Air breather

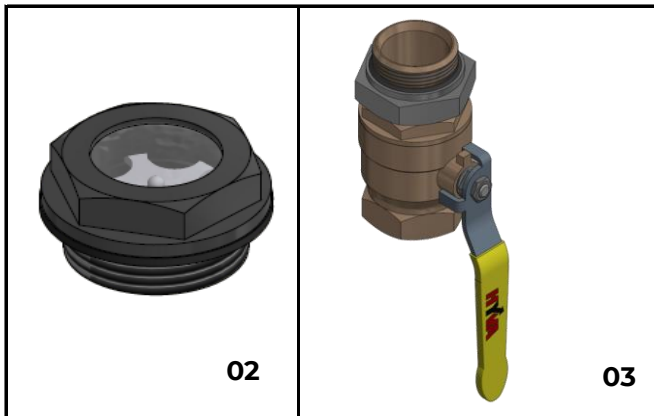


No.	Part no.	Description	Weight [kg]
01	08102116	Air breather	0.4

**Attention! : Air breather included with tank.**

**For Air breather spec. sheet, see DO-E 08102116**

## Accessories / Spare parts

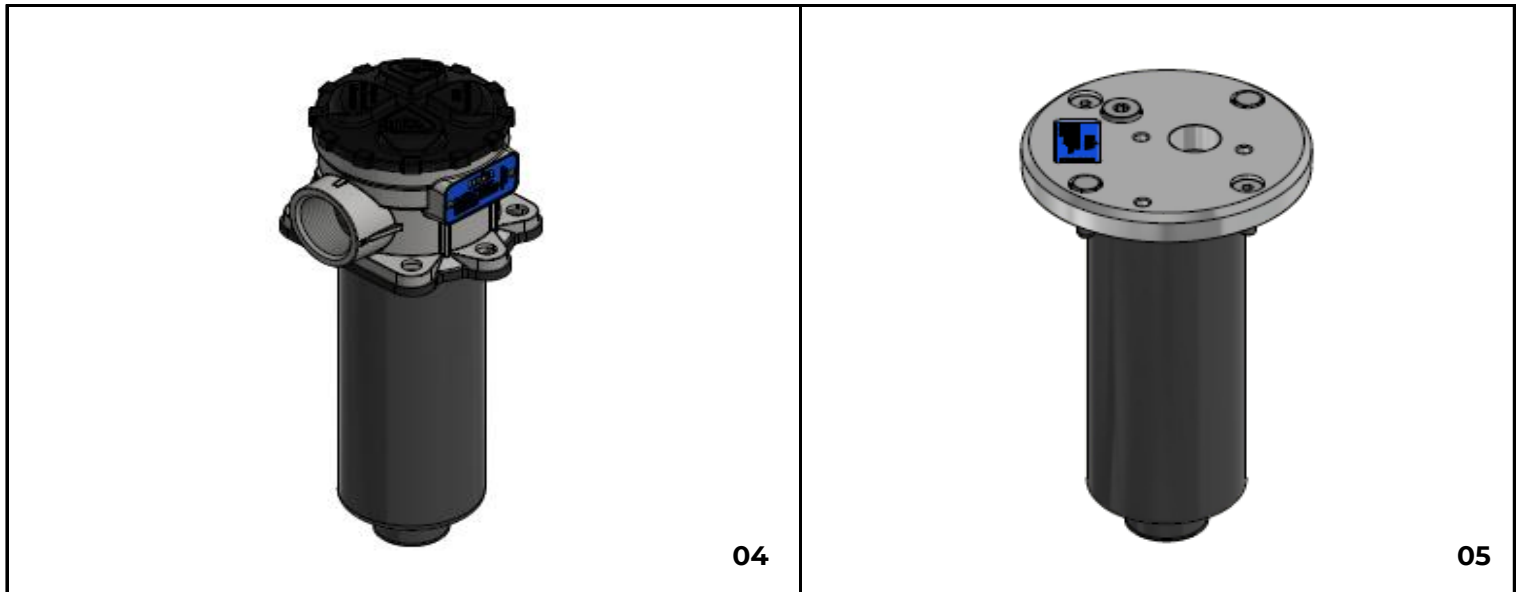


No.	Part no.	Description	Weight [kg]
02	08102121	Plastic spy eye 1" BSP (with gasket)*	0.017
03	14780981	Ball valve 1 1/2" BSP**	1.2

**\*Attention! : Spy eye included with tank**

**\*\*For more suction component see LPADAP01**

**Return filters**

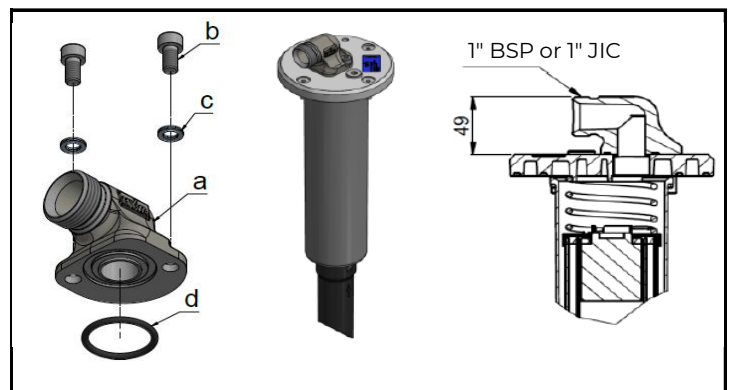
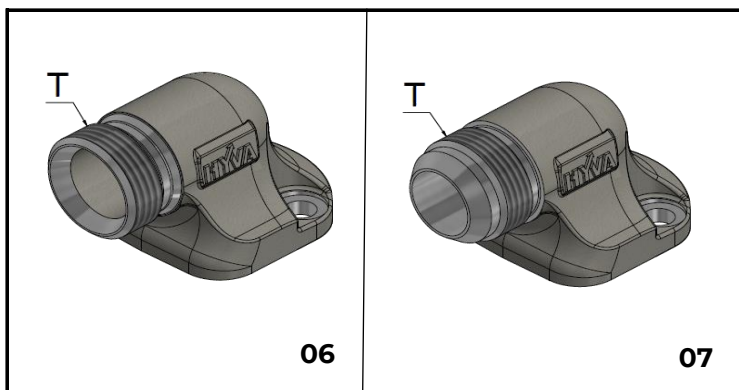


No.	Part no.	Description	Weight [kg]
04	14780360	Return filter housing type 100 L/m	1.7
05	14895930	Return filter plate type 100 L/m*	1.2

\*Filter with mounting plate for tipping valve

**Attention! : Return line filters are not included with tank. To be ordered separately.**

**Option adaptor for plate filter**

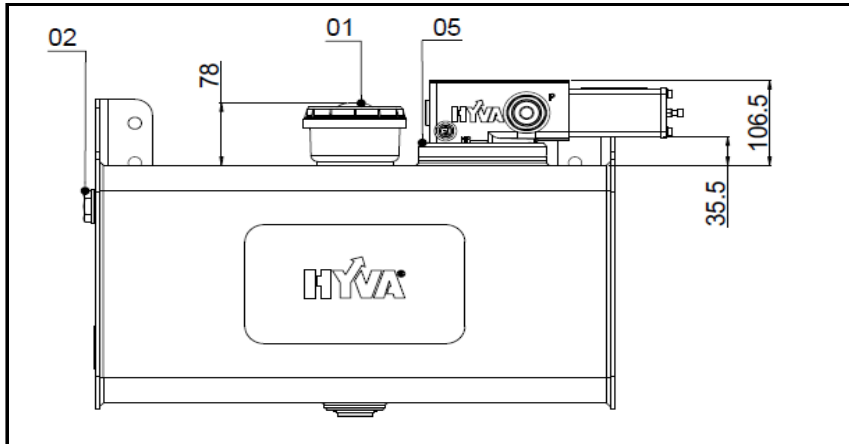


No.	Part no.	Description	Thread size (T)	Qty
06	01317987	Adaptor kit 90 for return filter	1" BSPOTC	1
07	01317988	Adaptor kit 90 for return filter	1" JICOTC	1

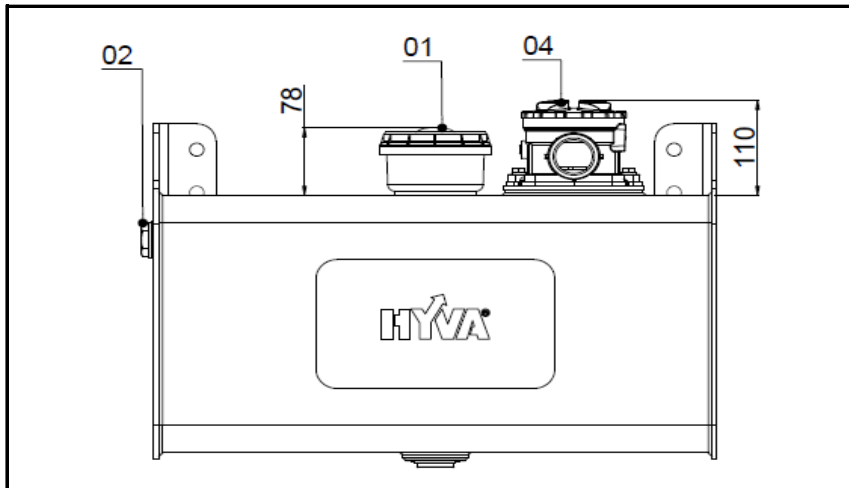
No.	Description	Qty
a	Adaptor-90-elbow-1" BSPOTC	1
	Adaptor-90-elbow-1" JICOTC	
b	Bolt HSHC M8x16x1.25 DIN 912 ZP	2
c	Nord-lock washer M8	2
d	O-Ring 34.60x2.62	1

**Note : O-rings, bolts & washers are included with adaptor**

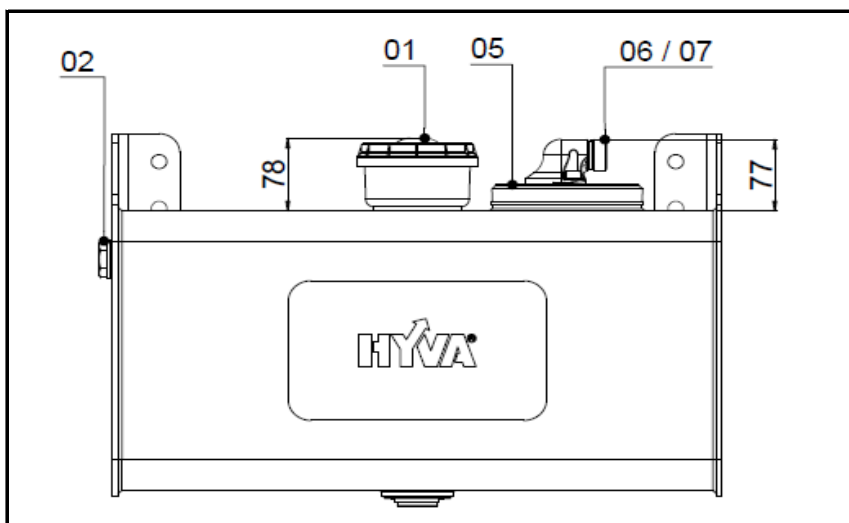
**Valve mounting options**



**Valve mounted on top of tank**



**Valve mounted on chassis or cylinder (SAE)**



**Valve mounted on chassis or cylinder with Return line Plate version**