

HYVA PISTON PUMPS



Hyva

piston pump type :

piston pump 060L-BI-3H-SA-1-1 1/4

Page 1 / 2

part number :

145 69 107

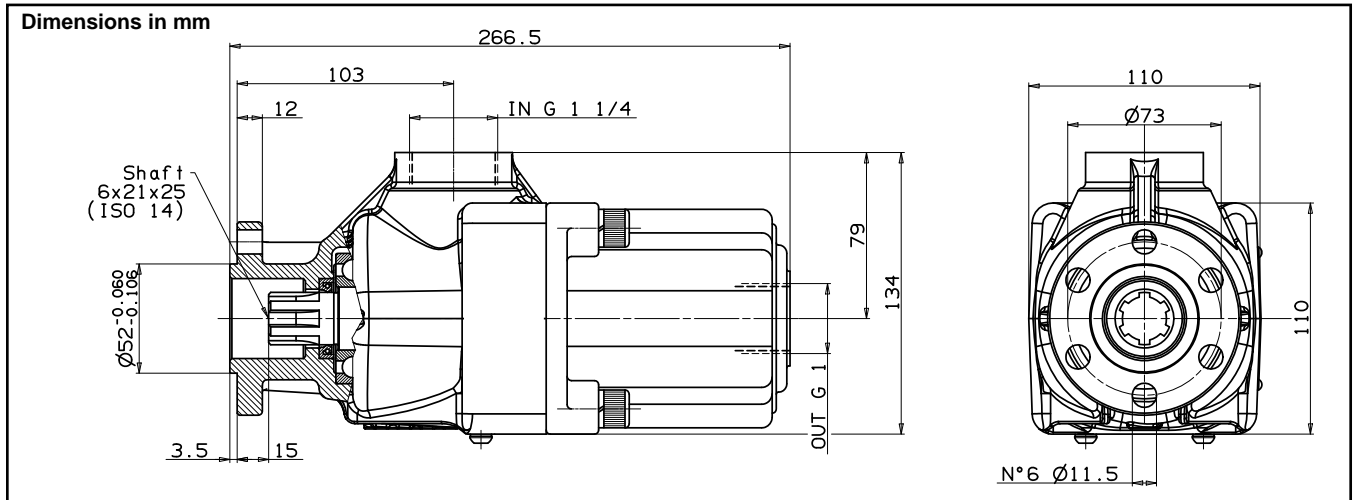
rotation :

bidirectional



Fluid	Mineral or synthetic compatible with the following seals: NBR, FKM, FPM, Nylon				
Kinematic viscosity suggested	Average ambient temp. (°C)	< -10	-10÷10	10÷35	> 35
	VG (cSt = mm²/s)	16	22	32	46
Optimale kinematic viscosity			VG= 10 cSt ÷ 100 cSt		
Max kinematic viscosity suggested at the start-up			VG= 750 cSt		
Viscosity index suggested	VI > 100	Working temperature		-15°C ÷ 100°C	
Oil filtering			> 200 bar: 10 µm < 200 bar: 25 µm		
Inlet pressure			0,85 ÷ 2 bar absolut		
Pump rotation			Bidirectional		

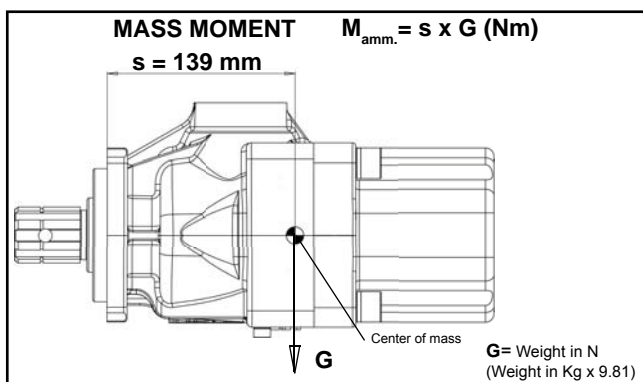
Verify that pump is, at least, 100 mm under the minimum level of the tank. Before starting the pump bleed the air.



DISPLACEMENT	PRESSURE		MAX. SPEED	IN ISO 228	OUT ISO 228	WEIGHT
	P1	P3				
59,3 cm³/rev	300 bar	350 bar	1500 rpm	G 1 1/4	G 1	13,5 Kg

SEAL KIT	
Part.no	02410003

P1 = Max. continuous pressure (100%)
P3 = Max. peak pressure (6 sec.max)



HYVA PISTON PUMPS



Hyva

piston pump type :

piston pump 060L-BI-3H-SA-1-1 1/4

Page 2 / 2

part number :

145 69 107

rotation :

bidirectional

