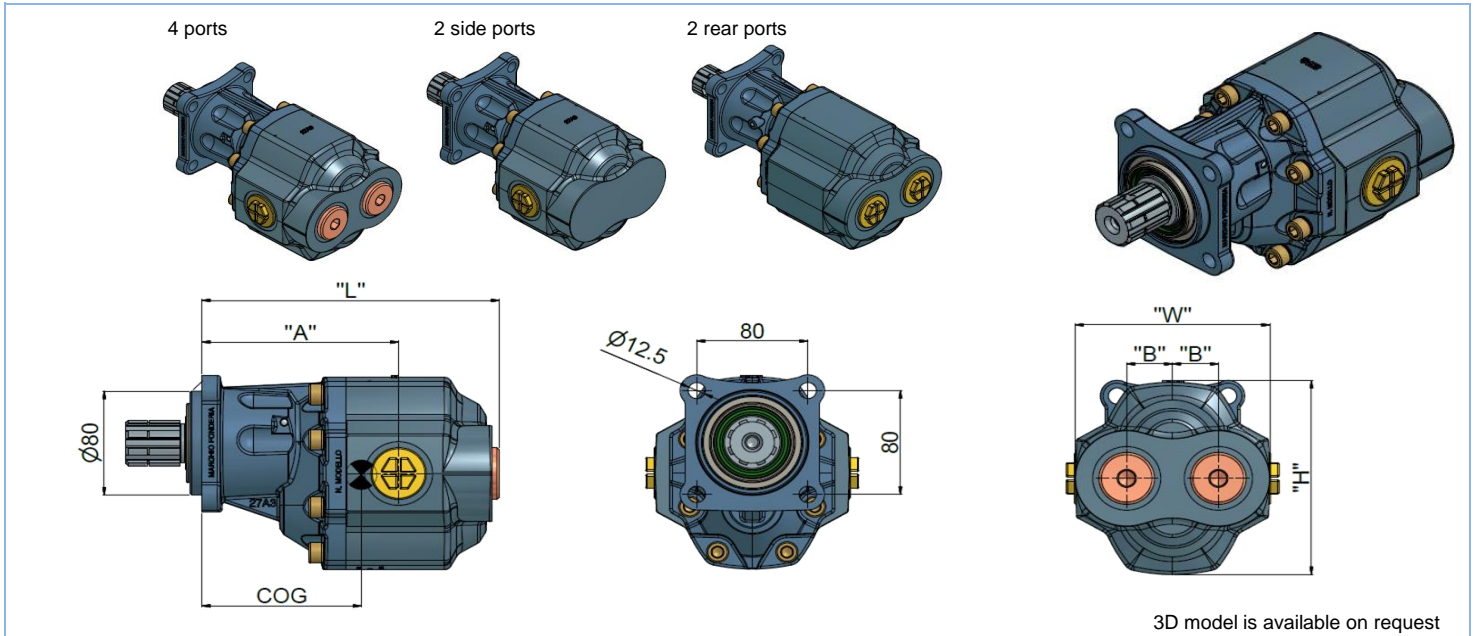


# HYVA GEAR PUMP



ALPHA Gear pump BI - 4H5  
Bi-rotational / Flange ISO 4 holes

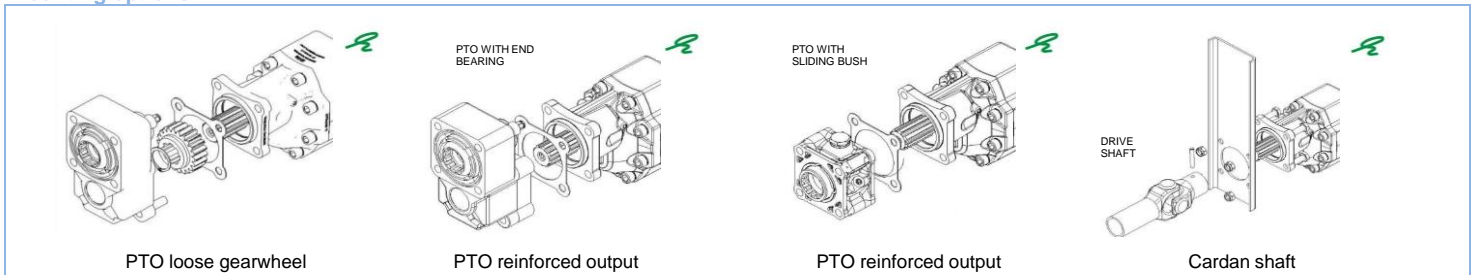


3D model is available on request

## Specifications

Type	35 cc	52 cc	61 cc	82 cc	82 cc	92 cc	100 cc	100 cc	113 cc	
<b>Part number</b>	<b>14562005</b>	<b>14562010</b>	<b>14562015</b>	<b>14571224</b>	<b>14562091</b>	<b>14562030</b>	<b>14562093</b>	<b>14562095</b>	<b>14562036</b>	
Displacement per revolution	34,56	51,88	61,26	81,68	81,68	91,56	100,47	100,47	112,85	cc
Port configuration	4 port	4 port	4 port	2 side	2 rear	4 port	2 rear	2 side	4 port	
Shaft DIN 5462	8*32*36	8*32*36	8*32*36	8*32*36	8*32*36	8*32*36	8*32*36	8*32*36	8*32*36	mm
Inlet - straight internal thread	3/4	1	1	1	1 1/4	1 1/4	1 1/4	1 1/4	1 1/4	" BSP
Outlet - straight internal thread	3/4	1	1	1	1 1/4	1 1/4	1 1/4	1 1/4	1 1/4	" BSP
Minimum suction hose diameter	1 1/4	1 3/4	1 3/4	1 3/4	1 3/4	1 3/4	1 3/4	1 3/4	1 3/4	inch
Torque at 250 bar	148	220	258	347	347	389	428	428	478	Nm
Max. pressure for tipping applications	275	275	250	250	250	250	250	250	250	bar
Max. continuous pressure	255	255	230	230	230	230	230	230	230	bar
Max. peak pressure	280	280	255	255	255	255	255	255	255	bar
Max. flow (at 2000 rpm)	64	95	113	150	150	168	185	185	208	l/m
Max. speed at intermittent press.	2500	2500	2500	2500	2500	2500	2250	2250	2000	rpm
Min. speed at intermittent press.	300	300	300	300	300	300	300	300	300	rpm
L: Length pump	189	200	206	222	230	236	239	236	246	mm
W: Width pump	128	128	128	138	138	140,5	138	138	140,4	mm
H: Height pump	149,5	149,5	149,5	149,5	149,5	166,5	149,5	149,5	166,5	mm
A: Position side port	130,5	132,5	138,5	152		155		157,4	165	mm
B: Position rear port	30	30	30		33	33	33		33	mm
Mass	12,5	13,5	14	16,6	16,4	19,5	17,4	18	20,8	kg
Centre of gravity distance (COG)	99,3	105,2	106,5	117,8	117,8	126	126	131	130,1	mm
Oil temperature range	min / max	-40 / 80	-40 / 80	-40 / 80	-40 / 80	-40 / 80	-40 / 80	-40 / 80	-40 / 80	°C
Inlet pressure range (suction side)	min / max	0,7 / 3	0,7 / 3	0,7 / 3	0,7 / 3	0,7 / 3	0,7 / 3	0,7 / 3	0,7 / 3	bar
Recommended oil viscosity range	min / max	12 / 100	12 / 100	12 / 100	12 / 100	12 / 100	12 / 100	12 / 100	12 / 100	mm²/s
Max. starting viscosity		1500	1500	1500	1500	1500	1500	1500	1500	mm²/s
Min. filtration		25	25	25	25	25	25	25	25	µm
Noise level at 1000 min-1 and 100 bar		62,5	62,6	65,1	66,6	66,6	64,8	66,6	66,6	dB
Noise level at 1500 min-1 and 100 bar		67,6	67,5	69,4	71	71	68,3	69,5	69,5	dB

## Mounting options



## Technical notes

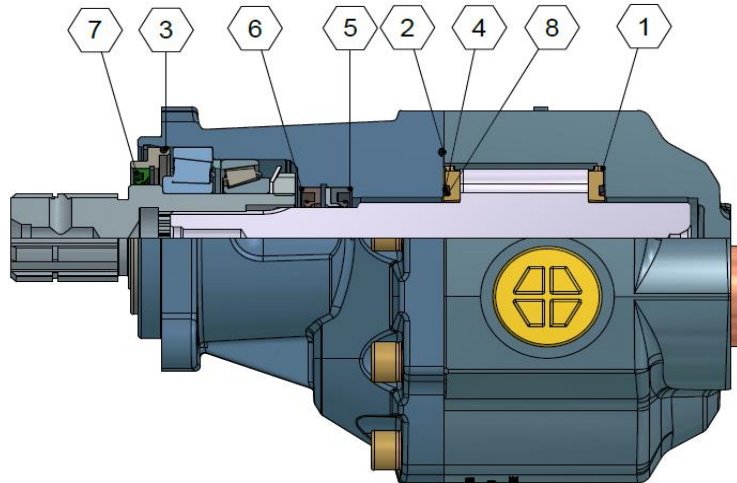
• The mentioned data on page 1 is for mineral based oil, for other fluids please contact our engineering dept. • The filtration as mentioned is for tippers only. For different application we advise filtration according ISO 4406 class 19/17/14. • To avoid cavitation, the suction hose must be kept as short and straight as possible, and the minimum oil level in the oil tank must be above the inlet port of the pump. • Painted black (RAL9011)

## Related documentation

Mounting instructions: PUM-0014

Oil specifications: OIL-0011

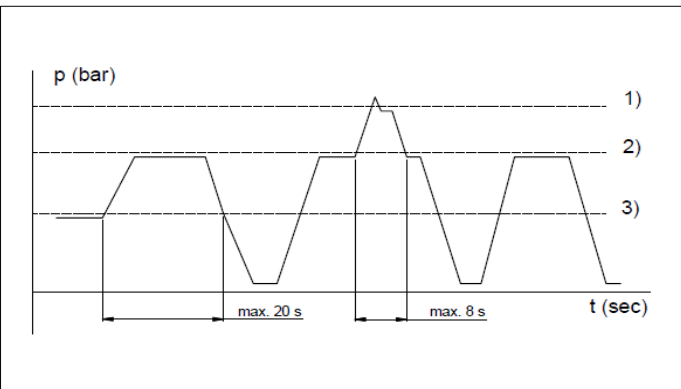
[www.hyva.com](http://www.hyva.com)



### Spare parts

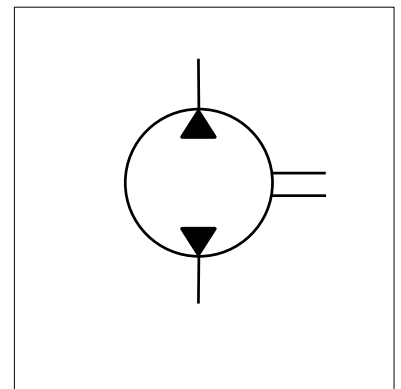
	Description	35 cc	52 cc	61 cc	82 cc	92 cc	100 cc	113 cc
	Seal kit (parts: 2, 3, 4, 5, 6, 7 & 8)	02460001	02460001	02460001	02460007	02460005	02460007	02460005
1	Thrust plate	02259400	02259400	02259400	02259401	02259405	02259406	02259405
2	O-ring	n.a; see seal kit	n.a; see seal kit	n.a; see seal kit	n.a; see seal kit	n.a; see seal kit	n.a; see seal kit	n.a; see seal kit
3	OR-seal	n.a; see seal kit	n.a; see seal kit	n.a; see seal kit	n.a; see seal kit	n.a; see seal kit	n.a; see seal kit	n.a; see seal kit
4	Seal	n.a; see seal kit	n.a; see seal kit	n.a; see seal kit	n.a; see seal kit	n.a; see seal kit	n.a; see seal kit	n.a; see seal kit
5	Shaft seal	n.a; see seal kit	n.a; see seal kit	n.a; see seal kit	n.a; see seal kit	n.a; see seal kit	n.a; see seal kit	n.a; see seal kit
6	Shaft seal	n.a; see seal kit	n.a; see seal kit	n.a; see seal kit	n.a; see seal kit	n.a; see seal kit	n.a; see seal kit	n.a; see seal kit
7	Shaft seal	n.a; see seal kit	n.a; see seal kit	n.a; see seal kit	n.a; see seal kit	n.a; see seal kit	n.a; see seal kit	n.a; see seal kit
8	Back-up ring	n.a; see seal kit	n.a; see seal kit	n.a; see seal kit	n.a; see seal kit	n.a; see seal kit	n.a; see seal kit	n.a; see seal kit
	Leak indicator kit	02470180	02470180	02470180	02470180	02470180	02470180	02470180

### Pressure definition



- p 1)** Peak Pressure
- p 2)** Intermittent Pressure  
f.e. tipping applications
- p 3)** Continuous Pressure

### Hydraulic symbol pump



### Torque - Pressure characteristics

