

\* incl. 20 [-5; +30] mm pull out

3D model is available on request or [www.hyva.com](http://www.hyva.com)

Specifications		Max. pump flow		Tipping time	
Max. working pressure	250 bar	With KO <sup>1</sup>	122 L/min	With KO <sup>1</sup>	15 sec
Weight	123 kg	Without KO <sup>1</sup>	86 L/min	Without KO <sup>1</sup>	22 sec
Working volume	31 L	With KO <sup>1</sup> below -20°C	85 L/min	With KO <sup>1</sup> below -20°C	21 sec
Total volume	34 L	Without KO <sup>1</sup> below -20°C	60 L/min	Without KO <sup>1</sup> below -20°C	31 sec
Max. cyl. load (start tipping)	195 kN			Allowable lowering time	15 sec
Max. cyl. load (end of stroke) <sup>2</sup>	108 kN				
Max. cyl. load (end of stroke) <sup>3</sup>	126 kN				

Technical notes

- This cylinder is a lifting device only.
- It should not be used as a structural member and should not be subjected to side loads.
- Tipping valve must have a pressure relief at the cylinder port set not higher than max. working pressure.
- Verify max. cyl. load.
- Working temperature range is between -40°C and +80°C.
- Max. duration of extension is 0.5 hours (excluded hard chromed stages).
- Cylinder is painted black (RAL9005) with a min. thickness conforming to the 480 hours neutral salt spray test as per ISO 9227.
- <sup>1</sup> Hyva knock-off.
- <sup>2</sup> Unsubstantial unloading (sticky load).
- <sup>3</sup> Substantial unloading.

Related documentation

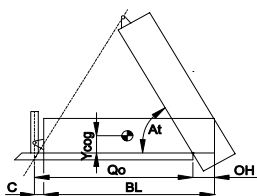
- Bracket options: 015BRA10 & 015BRA13
- Mounting instructions: CYL-0031
- Oil specifications: OIL-0011
- Spec sheet explanation: CYL-0041

Configuration

Extension	1	2	3	4	5	6	7	Total
Effective diameter [mm]	129	110	91	72				
Stroke* [mm]	915	935	935	935				3720

Tipping weight

For detailed tipping calculations please refer to: <https://tipper.hyva.com>



- BL body length
- OH rear overhang vert. pos. centre of gravity
- Ycog of gravity
- Qo pivot length
- C bracket length
- At tipping angle stroke x 60 / Qo

BL [mm]	4900	4750	4600						
OH [mm]	400	400	400	200	400	600			
At [°]	46	48	51	48	50	53			
Ycog [mm]	400	400	400	200	400	600			
	28	31	34	29	32	36	30	33	37
	32	35	40	33	37	42	34	39	45
	36	41		37	43		39		

Tipping weight [ton] at maximum pressure of 250 bar for a vertically mounted cylinder and C is 158 mm

Pos.	Part no.	Description	Qty.
C01	71839111	DUST COVER FE 129-4/137-4	1
P01	74461201	PISTON FL3 S 072-1130-HC	1
P02	71853072K	SLIDER FL 072 (2 X 1/2) A22	2
P04	71822072	BOTTOM PLATE PISTON FL 072	1
P05	01745026K	CIRCLIP 63 DIN 472 (67.2x2.0)	1
P06	71870210K	O-RING PISTON BOTTOM 072	1
P07	71847100	PISTON EYE SPH. FL3 072 L=075	1
P08	01226420K	O-RING 53.57 X 3.53 MM	1
P09	71875450K	SPHERICAL BEARING D.50.3 MAINT. FREE	1
P10	01770560K	CIRCLIP 75 DIN 472 (79.5x2.5)	1
P11	71875012	PIN ROUND HEAD GROOVED 8x15 mm	2

S31	74602201	STAGE FL2 091-1125-HC	1
S32	71802091K	PACKSET FL 091	1
S33	71853091K	SLIDER FL 091 (2 X 1/2) A22	1
S34	71851091K	OUTER STOPRING FL 091 A22	1
S35	71852091K	LIFTRING FL 091 A22	1

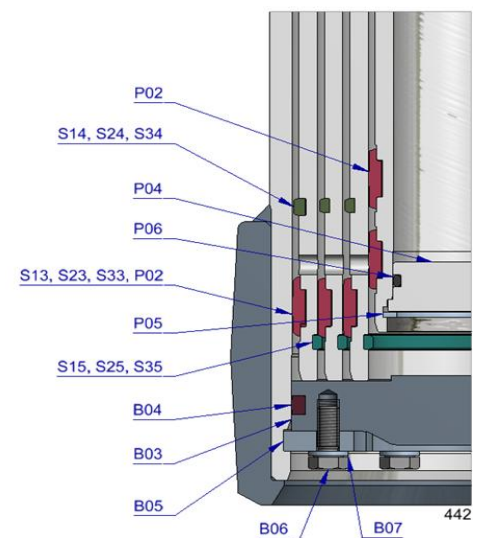
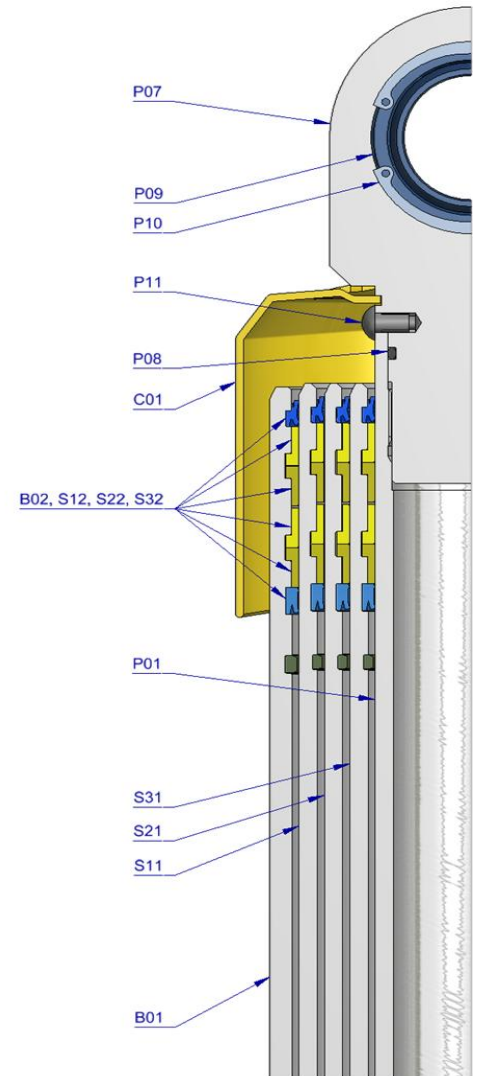
S21	74603201	STAGE FL2 110-1125-HC	1
S22	71802110K	PACKSET FL 110	1
S23	71853110K	SLIDER FL 110 (2 X 1/2) A22	1
S24	71851110K	OUTER STOPRING FL 110 A22	1
S25	71852110K	LIFTRING FL 110 A22	1

S11	74604201	STAGE FL2 129-1125-HC	1
S12	71802129K	PACKSET FL 129/HP 129	1
S13	71853129K	SLIDER FL 129 (2 X 1/2) A22	1
S14	71851129K	OUTER STOPRING FL 129 A22	1
S15	71852129K	LIFTRING FL 129 A22	1

B01	74505200	BASE FL2 149-1164-4/4BSAE-190	1
B02	71802149K	PACKSET FL 149/HP 150	1
B03	71825420	BOTTOM PLATE FL2 149	1
B04	71870030K	SEAL BOTTOM PLATE FL 149	1
B05	71820149	LOCKING PLATE FL 149	3
B06	01732055K	BOLT HEX M8X20X1.25 SET 6 PCS	1
B07	01732559K	WASHER SPRING M8 SET 6 PCS	1

Seal kit complete

71908440K	Consists of all packsets with packset grease and O-rings
-----------	--



Notes

The inner stopring and piston bottom are pre-mounted on spare bases, stage and pistons. Therefore, when ordering new tubes, it is not required to order these parts separately.

For repair instructions see: CYL-0040. Serial no. is located on type plate and near type plate support.