

\* incl. 20 [-5; +30] mm pull out

3D model is available on request or [www.hyva.com](http://www.hyva.com)

Specifications		Max. pump flow		Tipping time	
Max. working pressure	250 bar	With KO <sup>1</sup>	190 L/min	With KO <sup>1</sup>	12 sec
Weight	142 kg	Without KO <sup>1</sup>	137 L/min	Without KO <sup>1</sup>	16 sec
Working volume	37 L	With KO <sup>1</sup> below -20°C	133 L/min	With KO <sup>1</sup> below -20°C	17 sec
Total volume	41 L	Without KO <sup>1</sup> below -20°C	96 L/min	Without KO <sup>1</sup> below -20°C	23 sec
Max. cyl. load (start tipping)	245 kN			Allowable lowering time	12 sec
Max. cyl. load (end of stroke) <sup>2</sup>	138 kN				
Max. cyl. load (end of stroke) <sup>3</sup>	161 kN				

Technical notes

- This cylinder is a lifting device only.
- It should not be used as a structural member and should not be subjected to side loads.
- Tipping valve must have a pressure relief at the cylinder port set not higher than max. working pressure.
- Verify max. cyl. load.
- Working temperature range is between -40°C and +80°C.
- Max. duration of extension is 0.5 hours (excluded hard chromed stages).
- Cylinder is painted black (RAL9005) with a min. thickness conforming to the 480 hours neutral salt spray test as per ISO 9227.
- <sup>1</sup> Hyva knock-off.
- <sup>2</sup> Unsubstantial unloading (sticky load).
- <sup>3</sup> Substantial unloading.

Related documentation

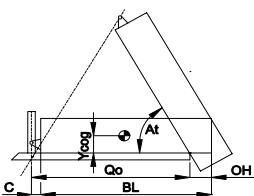
Bracket options:	015BRA10 & 015BRA13
Mounting instructions:	CYL-0031
Oil specifications:	OIL-0011
Spec sheet explanation:	CYL-0041

Configuration

Extension	1	2	3	4	5	6	7	Total
Effective diameter [mm]	129	110	91					3880
Stroke* [mm]	1280	1300	1300					

Tipping weight

For detailed tipping calculations please refer to: <https://tipper.hyva.com>

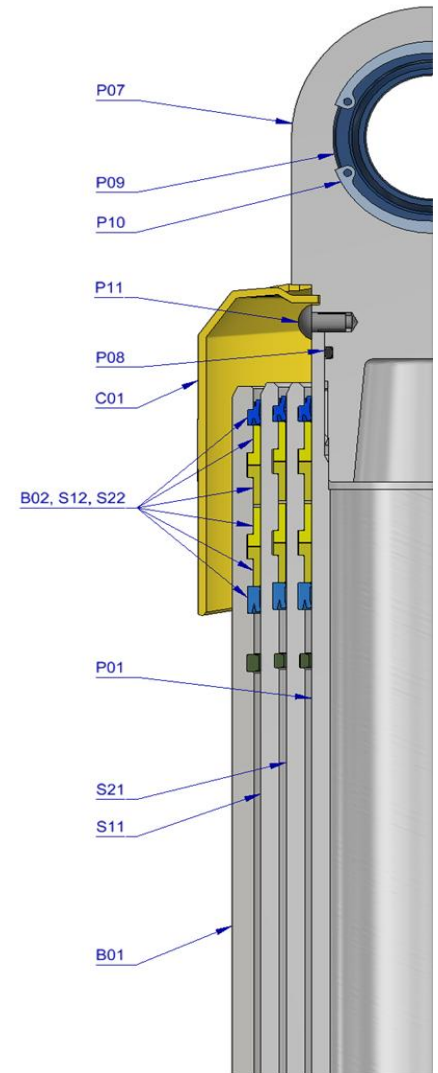


BL body length  
OH rear overhang  
Ycog vert. pos. centre of gravity  
Qo pivot length  
C bracket length  
At tipping angle  
stroke x 60 / Qo

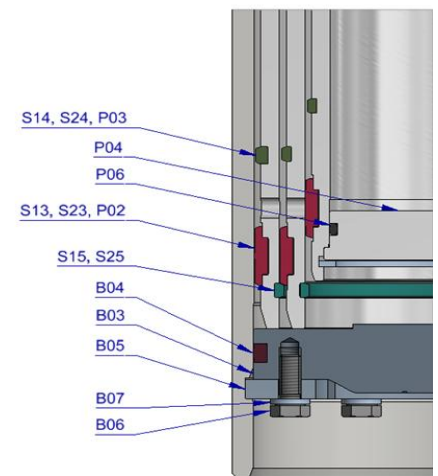
BL [mm]	200	5100	600	200	4950	600	200	4800	600
OH [mm]	46	48	51	48	50	53	49	52	55
At [°]									
Ycog [mm]									
C [mm]	43	46	50	44	47	52	44	48	53
At [°]	47	51	57	48	53	59	49	54	
stroke x 60 / Qo	51			53					

Tipping weight [ton] at maximum pressure of 250 bar for a vertically mounted cylinder and C is 158 mm

Pos.	Part no.	Description	Qty.
C01	71839110	DUST COVER FE 129-3/137-3	1
P01	74462511	PISTON FL3 S 091-1515-HC	1
P02	71853091K	SLIDER FL 091 (2 X 1/2) A22	1
P03	71851091K	OUTER STOPRING FL 091 A22	1
P04	71822091	BOTTOM PLATE PISTON FL 091	1
P05	01745012K	CIRCLIP 82 DIN 472 (87.5x2.5)	1
P06	71870215K	O-RING PISTON BOTTOM 091	1
P07	71847200	PISTON EYE SPH. FL3 091 L=075	1
P08	01226430K	O-RING 72.62 X 3.53 MM	1
P09	71875450K	SPHERICAL BEARING D.50.3 MAINT. FREE	1
P10	01770560K	CIRCLIP 75 DIN 472 (79.5x2.5)	1
P11	71875012	PIN ROUND HEAD GROOVED 8x15 mm	2



S21	74603511	STAGE FL2 110-1510-HC	1
S22	71802110K	PACKSET FL 110	1
S23	71853110K	SLIDER FL 110 (2 X 1/2) A22	1
S24	71851110K	OUTER STOPRING FL 110 A22	1
S25	71852110K	LIFTRING FL 110 A22	1
S11	74604511	STAGE FL2 129-1510-HC	1
S12	71802129K	PACKSET FL 129/HP 129	1
S13	71853129K	SLIDER FL 129 (2 X 1/2) A22	1
S14	71851129K	OUTER STOPRING FL 129 A22	1
S15	71852129K	LIFTRING FL 129 A22	1
B01	74505530	BASE FL2 149-1569-4/4BSAE-N1323-V0190	1
B02	71802149K	PACKSET FL 149/HP 150	1
B03	71825420	BOTTOM PLATE FL2 149	1
B04	71870030K	SEAL BOTTOM PLATE FL 149	1
B05	71820149	LOCKING PLATE FL 149	3
B06	01732055K	BOLT HEX M8X20X1.25 SET 6 PCS	1
B07	01732559K	WASHER SPRING M8 SET 6 PCS	1



437

Seal kit complete

71908430K	Consists of all packsets with packset grease and O-rings
-----------	--

Notes

The inner stopring and piston bottom are pre-mounted on spare bases, stage and pistons. Therefore, when ordering new tubes, it is not required to order these parts separately.

For repair instructions see: CYL-0040. Serial no. is located on type plate and near type plate support.