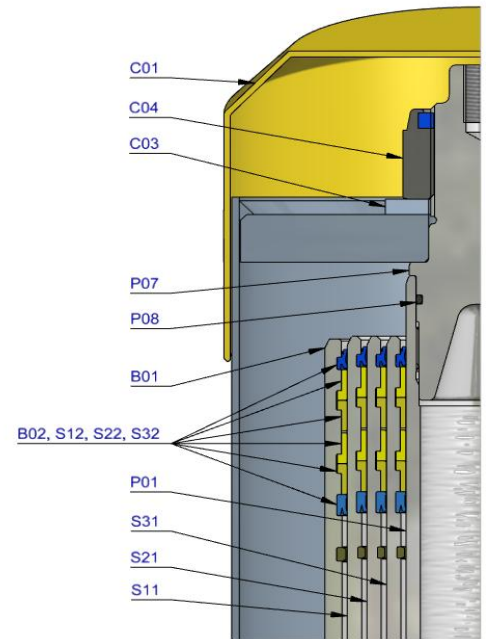
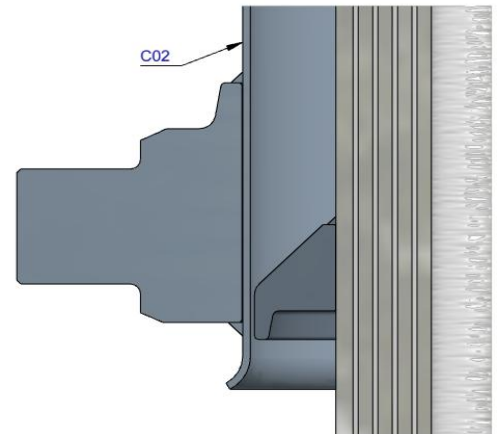


Pos.	Part no.	Description	Qty.
C01	71839040	DUST COVER FC LOW 15-244	1
C02	71706425	COVER 242-1165 PIN60 A340 FIX	1
C03	01702956K	WASHER M48 DIN 125B ZP	1
C04	01702907K	TOPNUT NYLOC M48x3 DIN 985 ZP	1
P01	74461371	PISTON FL3 S 072-1365-HC	1
P02	71853072K	SLIDER FL 072 (2 X 1/2) A22	2
P04	71822072	BOTTOM PLATE PISTON FL 072	1
P05	01745026K	CIRCLIP 63 DIN 472 (67.2x2.0)	1
P06	71870210K	O-RING PISTON BOTTOM 072	1
P07	71848100	PISTON HEAD FL3 072	1
P08	01226420K	O-RING 53.57 X 3.53 MM	1



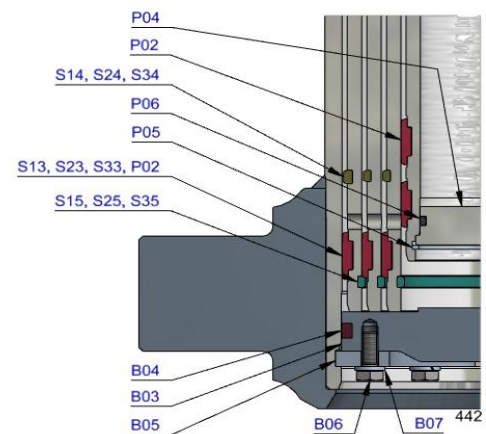
S31	74602371	STAGE FL2 091-1360-HC	1
S32	71802091K	PACKSET FL 091	1
S33	71853091K	SLIDER FL 091 (2 X 1/2) A22	1
S34	71851091K	OUTER STOPRING FL 091 A22	1
S35	71852091K	LIFTRING FL 091 A22	1



S21	74603371	STAGE FL2 110-1360-HC	1
S22	71802110K	PACKSET FL 110	1
S23	71853110K	SLIDER FL 110 (2 X 1/2) A22	1
S24	71851110K	OUTER STOPRING FL 110 A22	1
S25	71852110K	LIFTRING FL 110 A22	1

S11	74604371	STAGE FL2 129-1360-HC	1
S12	71802129K	PACKSET FL 129/HP 129	1
S13	71853129K	SLIDER FL 129 (2 X 1/2) A22	1
S14	71851129K	OUTER STOPRING FL 129 A22	1
S15	71852129K	LIFTRING FL 129 A22	1

B01	74505370R1065	BASE FL2 149-1399-4/4BSAE-190-C242	1
B02	71802149K	PACKSET FL 149/HP 150	1
B03	71825420	BOTTOM PLATE FL2 149	1
B04	71870030K	SEAL BOTTOM PLATE FL 149	1
B05	71820149	LOCKING PLATE FL 149	3
B06	01732055K	BOLT HEX M8X20X1.25 SET 6 PCS	1
B07	01732559K	WASHER SPRING M8 SET 6 PCS	1



Seal kit complete

71908440K	Consists of all packsets with packset grease and O-rings
-----------	--

Notes

The inner stopring and piston bottom are pre-mounted on spare bases, stage and pistons. Therefore, when ordering new tubes, it is not required to order these parts separately.

For repair instructions see: CYL-0040. Serial no. is located on type plate and near type plate support.