

\* incl. 20 [-5; +30] mm pull out

3D model is available on request or [www.hyva.com](http://www.hyva.com)

Specifications		Max. pump flow		Tipping time	
Max. working pressure	250 bar	With KO <sup>1</sup>	190 L/min	With KO <sup>1</sup>	26 sec
Weight	307 kg	Without KO <sup>1</sup>	170 L/min	Without KO <sup>1</sup>	29 sec
Working volume	81 L	With KO <sup>1</sup> below -20°C	133 L/min	With KO <sup>1</sup> below -20°C	37 sec
Total volume	87 L	Without KO <sup>1</sup> below -20°C	119 L/min	Without KO <sup>1</sup> below -20°C	41 sec
Max. cyl. load (start tipping)	345 kN			Allowable lowering time	26 sec
Max. cyl. load (end of stroke) <sup>2</sup>	286 kN				
Max. cyl. load (end of stroke) <sup>3</sup>	334 kN				

Technical notes

- This cylinder is a lifting device only.
- It should not be used as a structural member and should not be subjected to side loads.
- Tipping valve must have a pressure relief at the cylinder port set not higher than max. working pressure.
- Verify max. cyl. load.
- Working temperature range is between -40°C and +80°C.
- Max. duration of extension is 0.5 hours (excluded hard chromed stages).
- Cylinder is painted black (RAL9005) with a min. thickness conforming to the 480 hours neutral salt spray test as per ISO 9227.
- <sup>1</sup> Hyva knock-off.
- <sup>2</sup> Unsubstantial unloading (sticky load).
- <sup>3</sup> Substantial unloading.

Related documentation

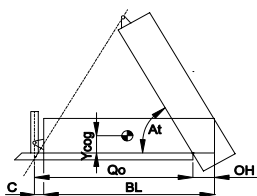
- Bracket options: 015BRA10 & 015BRA12
- Mounting instructions: CYL-0030
- Oil specifications: OIL-0011
- Spec sheet explanation: CYL-0041

Configuration

Extension	1	2	3	4	5	6	7	Total
Effective diameter [mm]	169	149	129	110				5180
Stroke* [mm]	1280	1300	1300	1300				

Tipping weight

For detailed tipping calculations please refer to: <https://tipper.hyva.com>

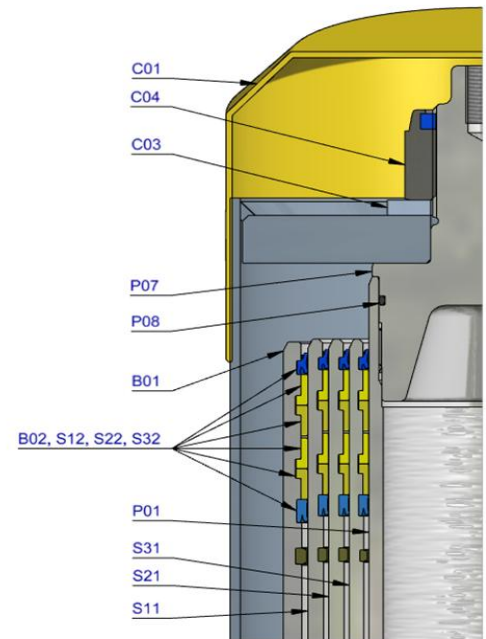


- BL body length
  - OH rear overhang
  - Ycog vert. pos. centre of gravity
  - Qo pivot length
  - C bracket length
  - At tipping angle
- $stroke \times 60 / Qo$

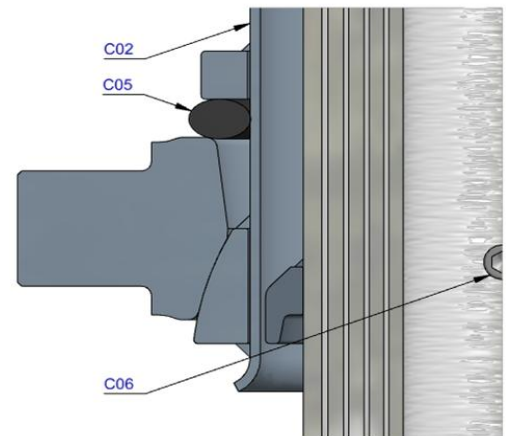
BL [mm]	6900	800	6550	800	6200	800
OH [mm]	500	800	500	800	500	800
At [°]	44	46	47	49	49	55
Ycog [mm]	600	72	69	76	72	
C	66	72	81	69	76	72
At	71	79		75		

Tipping weight [ton] at maximum pressure of 250 bar for a vertically mounted cylinder and C is 229 mm

Pos.	Part no.	Description	Qty.
C01	71839040	DUST COVER FC LOW 15-244	1
C02	71736524	COVER 242-1315 PIN60 A340 SPH LOCK	1
C03	01702956K	WASHER M48 DIN 125B ZP	1
C04	01702907K	TOPNUT NYLOC M48x3 DIN 985 ZP	1
C05	01791941	O-RING COVER D.242	1
C06	15014550K	BOLT HSHC M12X30X1.75 Q8.8 DIN 912 ZP	1
P01	74463511	PISTON FL3 S 110-1515-HC	1
P02	71853110K	SLIDER FL 110 (2 X 1/2) A22	1
P03	71851110K	OUTER STOPRING FL 110 A22	1
P04	71822110	BOTTOM PLATE PISTON FL 110	1
P05	01745050K	CIRCLIP 100 DIN 472 (105.5x3.0)	1
P06	71870220K	O-RING PISTON BOTTOM 110	1
P07	71848300	PISTON HEAD FL3 110	1
P08	01226538K	O-RING 91.67 X 3.53 MM NBR	1

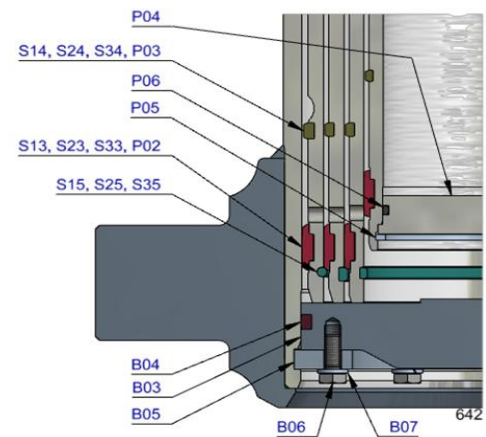


S31	74604511	STAGE FL2 129-1510-HC	1
S32	71802129K	PACKSET FL 129/HP 129	1
S33	71853129K	SLIDER FL 129 (2 X 1/2) A22	1
S34	71851129K	OUTER STOPRING FL 129 A22	1
S35	71852129K	LIFTRING FL 129 A22	1



S21	74605511	STAGE FL2 149-1510-HC	1
S22	71802149K	PACKSET FL 149/HP 150	1
S23	71807151K	SLIDER FL 149 A35	1
S24	71851149K	OUTER STOPRING FL 149 A22	1
S25	71852149K	LIFTRING FL 149 A22	1

S11	74606511	STAGE FL2 169-1510-HC	1
S12	71802169K	PACKSET FL 169	1
S13	71807171K	SLIDER FL 169 A35	1
S14	71851169K	OUTER STOPRING FL 169 A22	1
S15	71813169K	LIFTRING FL 169x5	1



B01	74507510R1215	BASE FL2 191-1553-4/4BSAE-190-C242	1
B02	71802191K	PACKSET FL 191	1
B03	71825430	BOTTOM PLATE FL2 191	1
B04	71870040K	SEAL BOTTOM PLATE FL 191	1
B05	71820195	LOCKING PLATE FL2 191	3
B06	01732055K	BOLT HEX M8X20X1.25 SET 6 PCS	1
B07	01732559K	WASHER SPRING M8 SET 6 PCS	1

### Seal kit complete

71908640K	Consists of all packsets with packset grease and O-rings
-----------	--

### Notes

The inner stopring and piston bottom are pre-mounted on spare bases, stage and pistons. Therefore, when ordering new tubes, it is not required to order these parts separately.

For repair instructions see: CYL-0040. Serial no. is located on type plate and near type plate support.